

SD1 Series

General Purpose AC Variable Speed Drives

1 Phase 200/240V 50/60Hz **0.4~2.2kW** (0.5~3HP)
 3 Phase 200/240V 50/60Hz **0.4~7.5kW** (0.5~10HP)
 3 Phase 380/440V 50/60Hz **0.75~110kW** (1~150HP)

- IP20
- Torque Vector Control
- STO (safe torque off)
- Up to 150% Starting Torque
- Front Mounted RJ45 Socket (<2.2kW)
- Din Rail Mountable (<2.2kW)
- Fixed Keypad with Potentiometer (<2.2kW)
- Detachable Keypad (≥4kW)

- HDI Input (pulse)
- 2 Analogue Inputs
- 1/2 Analogue Outputs
- 2 Output Relays
- Transistor Output
- 4/5 Digital Inputs
- PNP/NPN Selectable

- In Built Modbus RTU / RS485
- PID Control as standard
- Internal DC Reactor (≥ 18.5kW)
- DC Injection Braking
- Internal Brake Chopper (≤37kW)
- Motor Auto-tune (static & dynamic)

- Internal C3 Filter (≥4kW), C3 Filter Option (<2.2kW)
- C1 & C2 Filter Options (entire range)
- Safety Circuit (SIL2/SIL3 - model dependant)
- CE, RoHS & Reach Compliant
- TUV Approved
- UL / cUL Pending
- 2 Year Warranty



* Pending Approval. Please check with IMO for current status

Options & Ordering Codes - SD1

SD1 - 2.5A - 21	
Nominal Power	Input
0.4kW / 0.5Hp	2.5A
0.75kW / 1Hp	4.2A
1.5kW / 2Hp	7.5A
2.2kW / 3Hp	10A

SD1 - 2.5A - 23	
Nominal Power	Input
0.4kW / 0.5Hp	2.5A
0.75kW / 1Hp	4.2A
1.5kW / 2Hp	7.5A
2.2kW / 3Hp	10A
4kW / 5.5Hp	16A
5.5kW / 7.5Hp	20A
7.5kW / 10Hp	30A

SD1 - 2.5A - 43	
Nominal Power	Input
0.75kW / 1Hp	2.5A
1.5kW / 2Hp	4.2A
2.2kW / 3Hp	5.5A
4kW / 5.5Hp	9.5A
5.5kW / 7.5Hp	14A
7.5kW / 10Hp	18.5A
11kW / 15Hp	25A
15kW / 20Hp	32A
18.5kW / 25Hp	38A
22kW / 30Hp	45A
30kW / 40Hp	60A
37kW / 50Hp	75A
45kW / 60Hp	92A
55kW / 75Hp	115A
75kW / 100Hp	150A
90kW / 125Hp	180A
110kW / 150Hp	215A

SD1 Series

General Purpose AC Variable Speed Drives

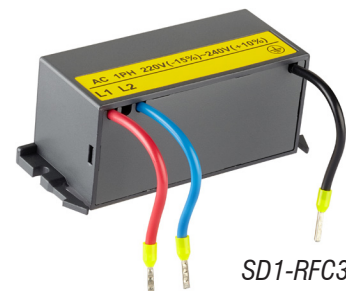
Options & Ordering Codes - Filters & Accessories

	Model	C3 Filter	Current	C2 Filter	Current
Single Phase 220V	SD1-2.5A-21	SD1-RFC3-10	10A	SD1-RFC2-10	10A
	SD1-4.2A-21	SD1-RFC3-10	10A	SD1-RFC2-10	10A
	SD1-7.5A-21	SD1-RFC3-10	10A	SD1-RFC2-16	16A
	SD1-10A-21	SD1-RFC3-10	10A	SD1-RFC2-16	16A
Three Phase 220V	SD1-2.5A-23	SD1-RFC3-7	7A	SD1-RFC2-6	6A
	SD1-4.2A-23	SD1-RFC3-7	7A	SD1-RFC2-6	6A
	SD1-7.5A-23	Internal	-	SD1-RFC2-16	16A
	SD1-10A-23	Internal	-	SD1-RFC2-16	16A
	SD1-16A-23	Internal	-	SD1-RFC2-32	32A
	SD1-20A-23	Internal	-	SD1-RFC2-32	32A
	SD1-30A-23	Internal	-	SD1-RFC2-45	45A
Three Phase 400V	SD1-2.5A-43	SD1-RFC3-7	7A	SD1-RFC2-6	6A
	SD1-4.2A-43	SD1-RFC3-7	7A	SD1-RFC2-6	6A
	SD1-5.5A-43	SD1-RFC3-7	7A	SD1-RFC2-6	6A
	SD1-9.5A-43	Internal	-	SD1-RFC2-16	16A
	SD1-14A-43	Internal	-	SD1-RFC2-16	16A
	SD1-18.5A-43	Internal	-	SD1-RFC2-32	32A
	SD1-25A-43	Internal	-	SD1-RFC2-32	32A
	SD1-32A-43	Internal	-	SD1-RFC2-45	45A
	SD1-38A-43	Internal	-	SD1-RFC2-45	45A
	SD1-45A-43	Internal	-	SD1-RFC2-65	65A
	SD1-60A-43	Internal	-	SD1-RFC2-65	65A
	SD1-75A-43	Internal	-	SD1-RFC2-100	100A
	SD1-92A-43	Internal	-	SD1-RFC2-100	100A
	SD1-115A-43	Internal	-	SD1-RFC2-150	150A
	SD1-150A-43	Internal	-	SD1-RFC2-150	150A
	SD1-180A-43	Internal	-	SD1-RFC2-240	240A
SD1-215A-43	Internal	-	SD1-RFC2-240	240A	

Model	Description
SD1-KP	Remote Keypad
SD1-KP-CPY	Remote Keypad with Copy
SD1-KP-MB	Keypad Mounting Bracket



SD1-KP



SD1-RFC3-10

SD1 Series

General Purpose AC Variable Speed Drives

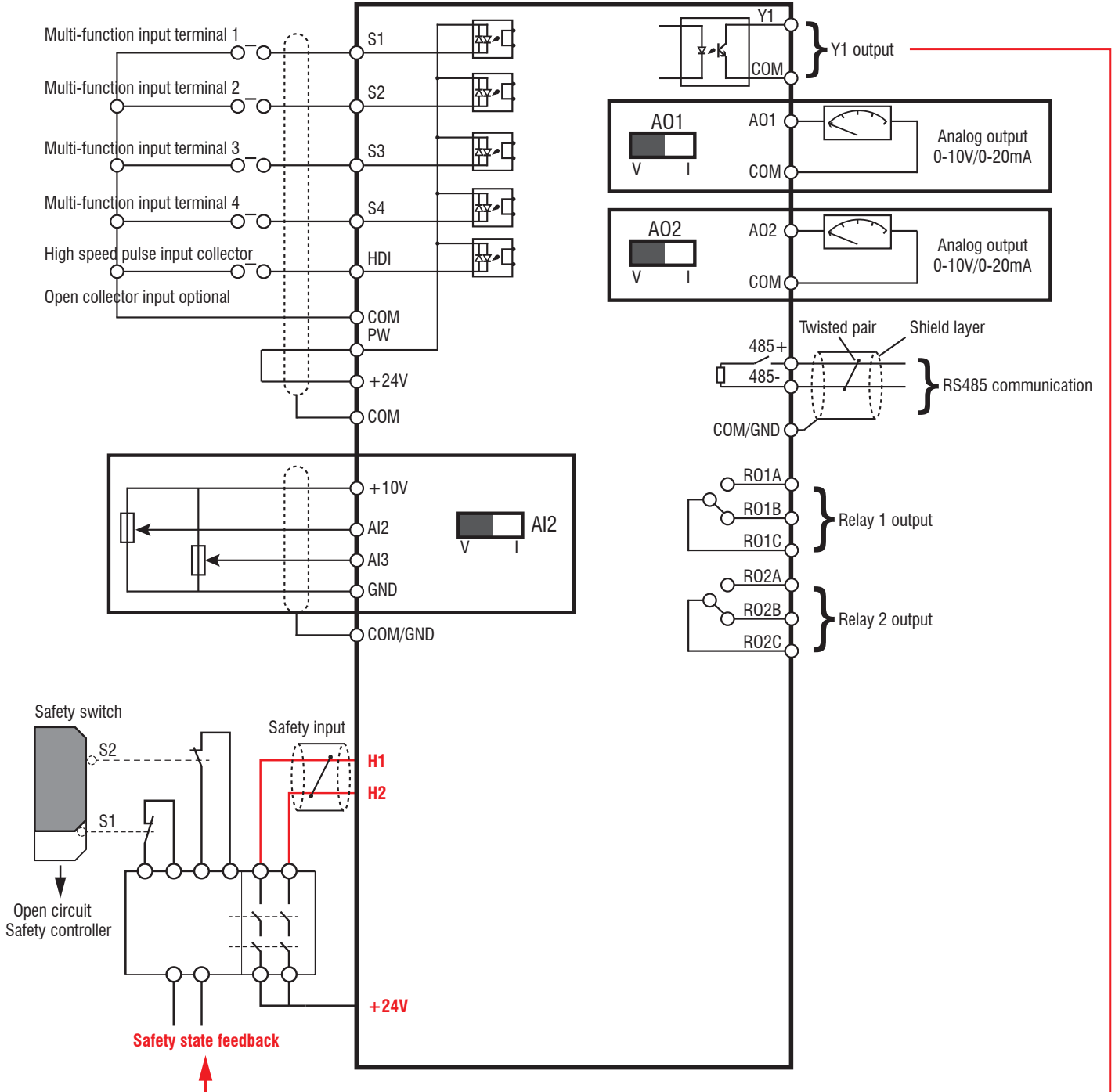
Specifications

	Model	Output Power		Input Current (A)	Output Current (A)	MCCB (A)	Cables (mm ²)
Single-phase 220V	SD1-2.5A-21	0.4kW	0.5Hp	6.5	2.5	10	1.5
	SD1-4.2A-21	0.75kW	1.0Hp	9.3	4.2	16	1.5
	SD1-7.5A-21	1.5kW	2.0Hp	15.7	7.5	25	2.5
	SD1-10A-21	2.2kW	3.0Hp	24	10	40	2.5
Three-phase 220V	SD1-2.5A-23	0.4kW	0.5Hp	3.7	2.5	6	1.5
	SD1-4.2A-23	0.75kW	1.0Hp	5	4.2	10	1.5
	SD1-7.5A-23	1.5kW	2.0Hp	7.7	7.5	16	2.5
	SD1-10A-23	2.2kW	3.0Hp	11	10	25	2.5
	SD1-16A-23	4kW	4.5Hp	17	16	32	2.5
	SD1-20A-23	5.5kW	7.5Hp	21	20	32	4
	SD1-30A-23	7.5kW	10Hp	31	30	63	6
Three-phase 380V	SD1-2.5A-43	0.75kW	1.0Hp	3.4	2.5	6	1.5
	SD1-4.2A-43	1.5kW	2.0Hp	5	4.2	10	1.5
	SD1-5.5A-43	2.2kW	3.0Hp	5.8	5.5	10	1.5
	SD1-9.5A-43	4kW	5.5Hp	13.5	9.5	25	2.5
	SD1-14A-43	5.5kW	7.5Hp	19.5	14	32	2.5
	SD1-18.5A-43	7.5kW	10Hp	25	18.5	40	4
	SD1-25A-43	11kW	15Hp	32	25	63	6
	SD1-32A-43	15kW	20Hp	40	32	63	6
	SD1-38A-43	18.5kW	25Hp	47	38	100	10
	SD1-45A-43	22kW	30Hp	51	45	100	16
	SD1-60A-43	30kW	40Hp	70	60	125	25
	SD1-75A-43	37kW	50Hp	80	75	160	25
	SD1-92A-43	45kW	60Hp	98	92	200	35
	SD1-115A-43	55kW	75Hp	128	115	200	50
	SD1-150A-43	75kW	100Hp	139	150	250	70
SD1-180A-43	90kW	125Hp	168	180	315	95	
SD1-215A-43	110kW	150Hp	201	215	350	120	

SD1 Series

General Purpose AC Variable Speed Drives

Power and Control Connections

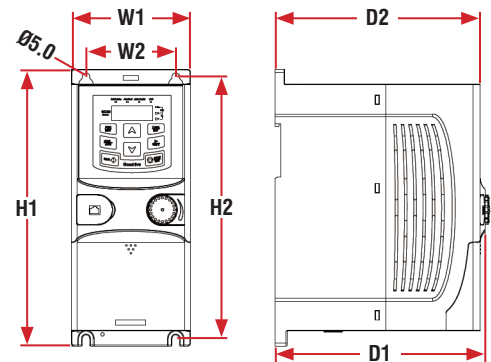


SD1 Series

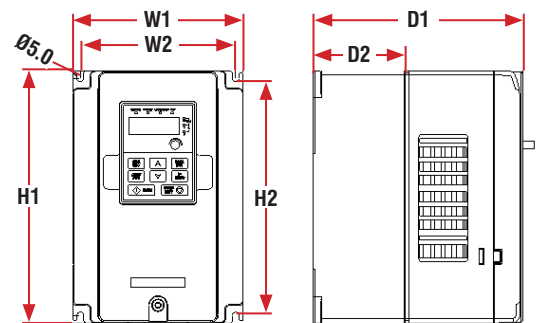
General Purpose AC Variable Speed Drives

Dimensions (mm)

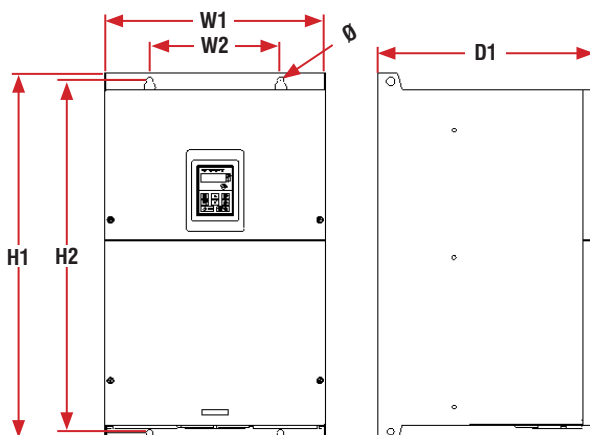
	Model	W1	W2	H1	H2	D1	D2
Single-phase 220V	SD1-2.5A-21	80	60	160	150	123.5	120.3
	SD1-4.2A-21	80	60	160	150	123.5	120.3
	SD1-7.5A-21	80	60	185	175	140.5	137.3
	SD1-10A-21	80	60	185	175	140.5	137.3
Three-phase 220V	SD1-2.5A-23	80	60	185	175	140.5	137.3
	SD1-4.2A-23	80	60	185	175	140.5	137.3
	SD1-7.5A-23	146	131	256	243.5	167	84.5
	SD1-10A-23	146	131	256	243.5	167	84.5
	SD1-16A-23	146	131	256	243.5	167	84.5
	SD1-20A-23	170	151	320	303.5	196.3	113
	SD1-30A-23	170	151	320	303.5	196.3	113
Three-phase 400V	SD1-2.5A-43	80	60	185	175	140.5	137.3
	SD1-4.2A-43	80	60	185	175	140.5	137.3
	SD1-5.5A-43	80	60	185	175	140.5	137.3
	SD1-9.5A-43	146	131	256	243.5	167	84.5
	SD1-14A-43	146	131	256	243.5	167	84.5
	SD1-18.5A-43	170	151	320	303.5	196.3	113
	SD1-25A-43	170	151	320	303.5	196.3	113
	SD1-32A-43	170	151	320	303.5	196.3	113
	SD1-38A-43	200	185	340.6	328.6	184.3	104.5
	SD1-45A-43	200	185	340.6	328.6	184.3	104.5
	SD1-60A-43	250	230	400	380	202	123.5
	SD1-75A-43	250	230	400	380	202	123.5
	SD1-92A-43	282	160	560	542	238	138
	SD1-115A-43	282	160	560	542	238	138
	SD1-150A-43	282	160	560	542	238	138
	SD1-180A-43	338	200	554	535	329.2	—
	SD1-215A-43	338	200	554	535	329.2	—



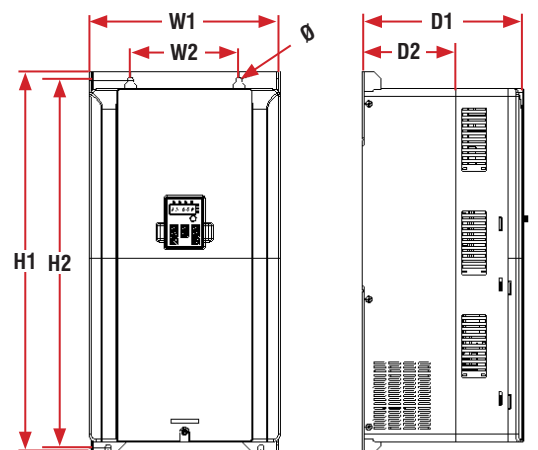
Wall mounting dimensions of 0.75 to 2.2kW SD1 Inverter (unit: mm)



Wall mounting dimensions of 3PH 380V 0.4 to 37kW & 3PH 220V 1.5 to 7.5kW SD1 Inverter (unit: mm)



Wall mounting dimensions of 3PH 380V 90 to 110kW SD1 Inverter (unit: mm)



Wall mounting dimensions of 3PH 45 to 75kW SD1 Inverter (unit: mm)